

STERTIL-KONI

По вопросам продаж и поддержки обращайтесь:

Алматы (7273)495-231
Архангельск (8182)63-90-72
Астрахань (8512)99-46-04
Барнаул (3852)73-04-60
Белгород (4722)40-23-64
Брянск (4832)59-03-52
Владивосток (423)249-28-31
Волгоград (844)278-03-48
Вологда (8172)26-41-59
Воронеж (473)204-51-73
Екатеринбург (343)384-55-89
Иваново (4932)77-34-06
Ижевск (3412)26-03-58
Иркутск (395)279-98-46
Россия (495)268-04-70

Казань (843)206-01-48
Калининград (4012)72-03-81
Калуга (4842)92-23-67
Кемерово (3842)65-04-62
Киров (8332)68-02-04
Краснодар (861)203-40-90
Красноярск (391)204-63-61
Курск (4712)77-13-04
Липецк (4742)52-20-81
Магнитогорск (3519)55-03-13
Москва (495)268-04-70
Мурманск (8152)59-64-93
Набережные Челны (8552)20-53-41
Нижний Новгород (831)429-08-12
Киргизия (996)312-96-26-47

Новокузнецк (3843)20-46-81
Новосибирск (383)227-86-73
Омск (3812)21-46-40
Орел (4862)44-53-42
Оренбург (3532)37-68-04
Пенза (8412)22-31-16
Пермь (342)205-81-47
Ростов-на-Дону (863)308-18-15
Рязань (4912)46-61-64
Самара (846)206-03-16
Санкт-Петербург (812)309-46-40
Саратов (845)249-38-78
Севастополь (8692)22-31-93
Симферополь (3652)67-13-56
Казахстан (7172)727-132

Смоленск (4812)29-41-54
Сочи (862)225-72-31
Ставрополь (8652)20-65-13
Сургут (3462)77-98-35
Тверь (4822)63-31-35
Томск (3822)98-41-53
Тула (4872)74-02-29
Тюмень (3452)66-21-18
Ульяновск (8422)24-23-59
Уфа (347)229-48-12
Хабаровск (4212)92-98-04
Челябинск (351)202-03-61
Череповец (8202)49-02-64
Ярославль (4852)69-52-93

stertil®

#1 IN HEAVY DUTY VEHICLE LIFTS

KONI

Freedom of Choice

Stertil-Koni's breadth of world-class products meets all ranges of lifting needs — and that's why it is called "Freedom of Choice." In that way, you can select the very best vehicle lifting system to address all your needs.

Equally important, Stertil-Koni delivers unparalleled sales, service and support via a dedicated network of highly focused, factory-trained, exclusive local distributors across North America. These valued partners have an average tenure of more than 14 years with Stertil-Koni.

Our portfolio of customer-driven solutions includes award-winning Mobile Column Lifts, the true vertical rise platform SKYLIFT, the immensely popular inground telescopic piston DIAMONDLIFT, our highly acclaimed inground scissor-style ECOLIFT, the 2-Post FREEDOMLIFT and 4-Post Lifts.



ECOLIFT

Mobile Column Lifts

Great Lifts and Great Equipment to Meet All of Your Lifting Requirements

Steril-Koni, the undisputed leader in safe, high-performance and dependable heavy duty vehicle lifting systems, accessories, shop equipment and service, is widely recognized for its award-winning, fully hydraulic bus and truck lifts.

Today, the company's products — which combined offer the broadest range of ALI (Automotive Lift Institute) certified heavy duty vehicle lifts — are used daily by major transit agencies, municipalities, state agencies, leading shipping providers, the U.S. Military, the aviation sector, pupil transportation, the agricultural industry, mining and a host of additional industries throughout the U.S. and Canada.



FREEDOMLIFT



SKYLIFT



DIAMONDLIFT

Global Presence. Local Expertise.

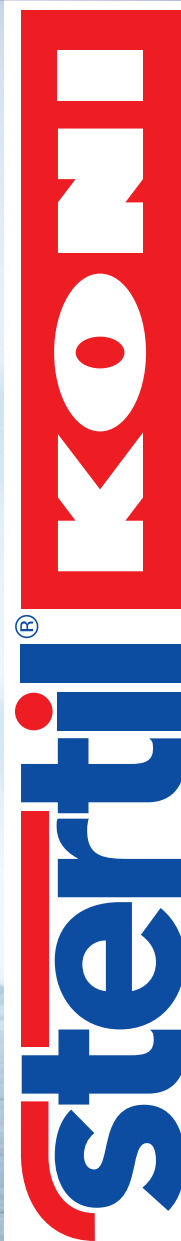


Stertil-Koni is headquartered in Stevensville, Maryland, nestled on the shores of the beautiful Chesapeake Bay. The company's flagship manufacturing facility in the U.S. is located in Streator, Illinois, with additional manufacturing plants in Europe and Asia.

Stertil-Koni lifting systems, shop equipment and accessories are sold through a dedicated, exclusive and experienced distributor network covering the U.S. and Canada.

In that way, we deliver the very best in global engineering and product design with a highly trained, locally based team that provides rapid response and superior customer support.

Contents



Mobile Column Lifts

Models & Accessories

1

SKYLIFT

Models & Accessories

15

DIAMONDLIFT

Models & Accessories

25

ECOLIFT

Models & Accessories

33

2-Post FREEDOMLIFT

Models & Accessories

39

4-Post Lifts

Models & Accessories

43

Shop Equipment

Transmission Jacks, Support Stands & More

49

Mobile Column Lifts

Mobile Column Lifts: Versatile, Portable and Dependable

Mobile Column Lifts from Stertil-Koni allow service technicians to safely lift a wide range of heavy duty (HD) vehicles quickly and efficiently. From transit buses and delivery vans to pumper trucks and fire engines, from agricultural vehicles and school buses to airport tugs, class 8 tractor trailers and utility trucks, we lift them all. Lifting capacities range from 14,000 lbs. to 40,000 lbs. per column.

- + Available in Wireless, Cabled and EARTHLIFT models
- + Rapid lifting and lowering every time
- + Maximum strength with high tensile DOMEX steel
- + Full color touch-screen controls
- + Dependable, safe hydraulic lifting technology
- + Mechanical locking system for added safety
- + Overload protection and synchronization
- + Adjustable pickup forks available

stertil **KONI**
MOBILE LIFT



The **ST 1064** is a high-performance, lower capacity hydraulic full-featured vehicle lifting system with a comparably economical price point



Three Core Models

WIRELESS MOBILE COLUMN LIFTS

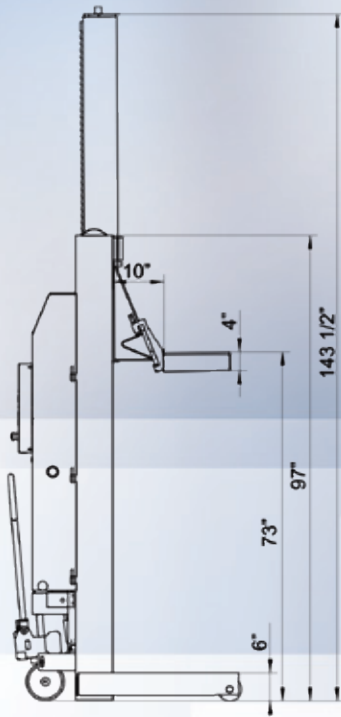
No external power source required, no inter-connecting cables necessary and hence no risk of tripping — all with minimal set up time. Special, deep cycle batteries only need to be recharged approximately once every two weeks. Easily recharged from standard 110 VAC wall receptacle.

EARTHLIFT®

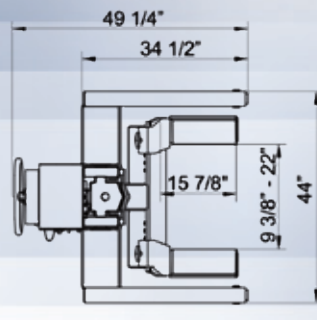
The first “green” Mobile Column Lift in the industry. This wireless Mobile Column Lift employs an Active Energy Retrieval System (AERS) that allows up to 50% more lifting cycles before recharging.

CABLED MOBILE COLUMN LIFTS

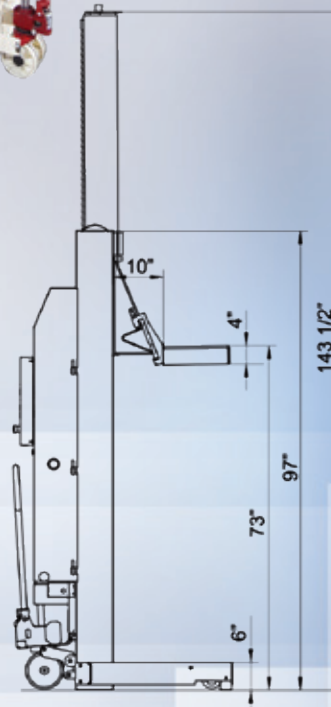
Ideal for technicians working in a predominantly fixed location. Connect up to 16 columns in a single configuration. Utilizes building power for dependable lifting, all at an economical price point.



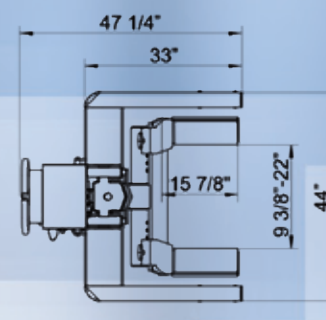
Fixed front wheels



Adjustable forks



Retractable front wheels



Adjustable forks

Dimensions shown for:
ST 1064 ST 1075 ST 1085

Product Specifications

MODEL	ST1064	ST 1065	ST 1075	ST 1085	ST 1100	ST 1130	ST 1175
Lifting Capacity	14,000 lbs.	14,500 lbs.	16,500 lbs.	18,500 lbs.	22,000 lbs.	29,000 lbs.	40,000 lbs.
Lifting System	Hydraulic	Hydraulic	Hydraulic	Hydraulic	Hydraulic	Hydraulic	Hydraulic
Lifting Height	73 in.	73 in.	73 in.	73 in.	73 in.	81 in.	81 in.
Lifting Time	75 sec	89 sec	75 sec	94 sec	94 sec	215 sec	215 sec
Column Height	97 in.	97 in.	97 in.	97 in.	97 in.	132 in.	132 in.

EARTHLIFT® First Environmentally Friendly Vehicle Lift

Recognized as the industry's first "green" Mobile Column Lift, EARTHLIFT columns feature touch-screen controls, wireless operation, are made from components that are 98% recyclable, use biodegradable fluid, and contain batteries that are 100% recyclable.

EARTHLIFT employs an innovative Active Energy Retrieval System (AERS) delivering up to 50% more lifting cycles at maximum load.

Lifting capacities per column range from 18,500 lbs. (ST 1085) to 22,000 lbs. (ST 1100).

stertil KONI
EARTHLIFT



Touch-Screen Control Panel As Standard

The ebright Smart Control System consists of a seven-inch, full color touch-screen that provides intuitive ease-of-use with maximum visual information about the lifting process — all at the fingertips of the busy technician on the shop floor.

The system also allows for owner/user configurable options for added safety to protect against unauthorized use.



See also manual
Zie ook handleiding
Vorlesung in Manual
Verf. handleiding
Bitte Bedienungsanleitung
Please refer to the manual for details



MOBILE COLUMN LIFTS

True Mobility

Stertil-Koni Lifts Are Truly Portable

Stertil-Koni Mobile Column Lifts are truly “mobile” and easily moved anywhere in the shop. Features include: synthetic wheels and hydraulic pallet truck mechanism with patented overload protection.

You’ll help ensure the integrity of your shop floor with Stertil-Koni retractable wheels, which prevent high-point loading, reducing the surface pressure by a factor of 10.



Ideal for Military Use Field Tested, Tough and Ready

Stertil-Koni is proud to support the U.S. Military by delivering award-winning lifting systems engineered to service light, medium and heavy tactical vehicles.

Our Mobile Column Lifts have a Mechanical Locking System for added safety that starts at just 5 inches* above floor height and continues throughout the full range of travel with locking intervals of 1 3/8”.

* Locking height applies only to the ST 1085 model.



Mobile Column Lift Features

MODEL FEATURES	1064 FBA	1064 FSA	1064 FWA	1065 FSF	1065 FWF	1075 FBA	1075 FSA	1075 FWA	1085 FBA	1085 FRA	1085 FSA	1085 FWA	1085 RBA	1085 RRA	1085 RSA	1085 RWA	1085 VFBA	1085 VFRA	1085 VFSA	1085 VFWA
Touch-screen ebright Smart Control System with key operating information on each column	•	•	•	•	•	•	•	•	•	•	•	•	•	•	•	•	•	•	•	•
Wireless mesh network with active channel search for optimal connectivity			•	•			•		•		•		•		•		•		•	•
Wireless: battery powered for maximum flexibility	•	•	•	•			•	•			•	•	•			•	•		•	•
Columns communicate with each other via interconnecting cables; energy source is workshop power outlet		•		•			•			•					•				•	
Adjustable lowering speed for slow or normal lowering as standard	•	•	•	•	•	•	•	•	•	•	•	•	•	•	•	•	•	•	•	•
Hydraulic pallet truck lifting mechanism with patented overload protection	•	•	•	•	•	•	•	•	•	•	•	•	•	•	•	•	•	•	•	•
12" long adjustable fork																				
14" long adjustable fork, suitable for super single tires	•	•	•		•	•	•	•	•	•	•	•	•	•	•	•	•	•	•	•
Fixed synthetic wheels that reduce the floor surface pressure	•	•	•	•	•	•	•	•	•	•	•	•	•	•	•	•	•	•	•	•
Safe, reliable hydraulic lifting as standard	•	•	•	•	•	•	•	•	•	•	•	•	•	•	•	•	•	•	•	•
Ultra-safe mechanical locking system	•	•	•	•	•	•	•	•	•	•	•	•	•	•	•	•	•	•	•	•

Broadest Range of ALI Certified Heavy Duty Vehicle Lifts

Stertil-Koni is proud to have the greatest number of heavy duty vehicle lifts that are certified by the industry's independent watchdog organization — the Automotive Lift Institute.*

The coveted ALI "Gold Label" signifies that a lift has been third-party tested and proven to meet the stringent safety and performance requirements outlined in the safety standard ANSI/ALI ALCTV (current edition).

Lift testing includes verification of the structural integrity of all of a particular lift model's systems and components, proper function of its controls and load-holding devices, correct lowering speeds, and overload protection.

* Please check with your local distributor as to which Stertil-Koni lifting systems, accessories and shop equipment are ALI certified.



MODEL FEATURES	1100 FRA	1100 FSA	1100 FWA	1100 RBA	1100 RRA	1100 RSA	1100 RWA	1100 VFBA	1100 VFRA	1100 VFSA	1100 VFVA	1100 VRBA	1100 VVRA	1100 VRSA	1130 RSF	1175 RWF	1175 RSF	1175 RWF
Touch-screen ebright Smart Control System with key operating information on each column	•	•	•	•	•	•	•	•	•	•	•	•	•	•	•	•	•	•
Wireless mesh network with active channel search for optimal connectivity	•	•	•	•	•	•	•	•	•	•	•	•	•	•	•	•	•	•
Wireless: battery powered for maximum flexibility	•	•	•	•	•	•	•	•	•	•	•	•	•	•	•	•	•	•
Columns communicate with each other via interconnecting cables; energy source is workshop power outlet	•	•	•	•	•	•	•	•	•	•	•	•	•	•	•	•	•	•
Adjustable lowering speed for slow or normal lowering as standard	•	•	•	•	•	•	•	•	•	•	•	•	•	•	•	•	•	•
Hydraulic pallet truck lifting mechanism with patented overload protection	•	•	•	•	•	•	•	•	•	•	•	•	•	•	•	•	•	•
12" long adjustable fork	•	•	•	•	•	•	•	•	•	•	•	•	•	•	•	•	•	•
14" long adjustable fork, suitable for super single tires	•	•	•	•	•	•	•	•	•	•	•	•	•	•	•	•	•	•
Fixed synthetic wheels that reduce the floor surface pressure	•	•	•	•	•	•	•	•	•	•	•	•	•	•	•	•	•	•
Safe, reliable hydraulic lifting as standard	•	•	•	•	•	•	•	•	•	•	•	•	•	•	•	•	•	•
Ultra-safe mechanical locking system	•	•	•	•	•	•	•	•	•	•	•	•	•	•	•	•	•	•

MOBILE COLUMN LIFT NAMING KEY

V = Wide Fork

Next letter designates front wheel choice

F = Fixed Wheels
R = Retractable Wheels

Following letter designates control choice

S = VAC Cabled Operation
B = VDC Cabled Operation, battery powered
W = VDC Wireless Operation, battery powered
R = VDC Wireless with Energy Retrieval System, battery powered

Last letter designates fork choice

F = Fixed forks
A = Adjustable forks

Example: ST 1064 FSA = ST 1064 Mobile Column Lift with Fixed Wheels, Cabled Operation, and Adjustable Forks

Mobile Column Lift Accessories

Stertil-Koni offers an extensive range of Mobile Column Lift accessories and options tailored to fit your specific needs.

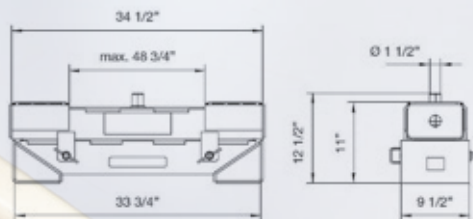
Multipurpose Adapters

Wheels-free lifting has never been easier. The frame-engaging design of Stertil-Koni's Multipurpose Adapters adds safety and versatility to Mobile Column Lifts by permitting front/rear vehicle lifting with just two Mobile Column Lifts.

- + Modular design, easy to adapt to various applications
- + Individual components can be used to create requirement-specific solutions
- + A wide range of vertical height adjusters and contact adapters for various applications are available

Standard Adapter | 38000920

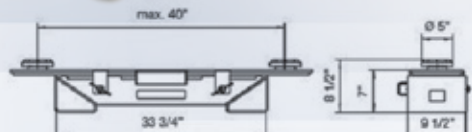
- For ST1064, ST1075, ST1085, ST1100
- Capacity: Depends on lift selected
- Adapter weight: 210 lbs.
- Includes:
 - + One adapter pin 1.57 inches diameter
 - + Two flat slideable adapters with anti-slip plate



38000920

Low Profile Adapter | 38000970

- For ST1064, ST1075, ST1085, ST1100
- Capacity: 5,500 lbs.
- Adapter weight: 176 lbs.
- Includes:
 - + Two rubber contact adapters



38000970

Adapter Cart | 38010950

Stertil-Koni offers an easy-to-maneuver wheeled Adapter Cart for storing two Multipurpose Adapters.



38010950

Tailored to fit

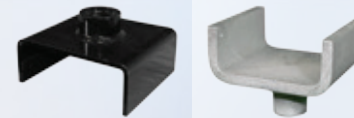
Agricultural equipment is easily lifted and serviced with a Multipurpose Adapter



Adapter Accessories

Stertil-Koni offers a wide range of pickup adapters for various purposes.

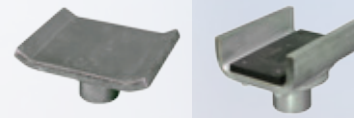
1 **2**



1 Flat sliding adapter receiver | **38000945**

2 U-shaped steel pickup pad | **4310.09.06.00**

3 **4**



3 Flat steel pickup pad | **4310.09.04.00**

4 U-shaped pickup adapter | **59001091**

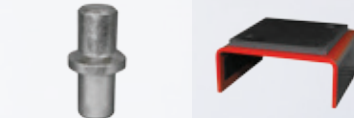
5 **6**



5 Standard support adapter | **39225988**

6 Tooth steel square pickup pad | **39225983**

7 **8**



7 Adapter pin 1.57" | **38000921**

8 Flat slideable adapter with anti-slip top plate | **32591051**

9 **10**



9 Vertically adjustable riser with height adjust | **32591020**

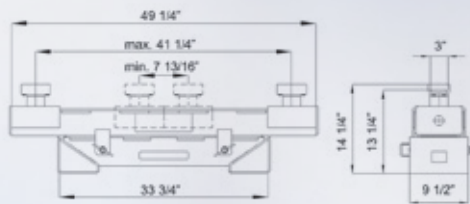
10 V-shaped steel pickup pad | **4310.09.05.00**

11 Support extension 1.5" | **35000306**

12 Support extension 3.5" | **37003909**

13 Support extension 6.3" | **37003916**

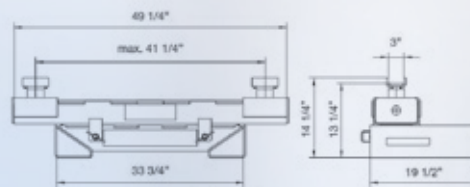
14 Support extension 10" | **37003925**



38000950

Extra Wide Adapter | 38000950

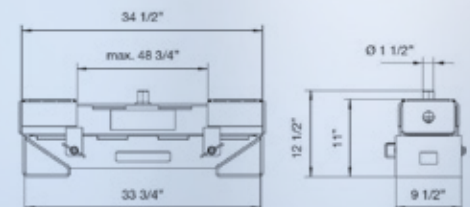
- For ST1064, ST1075, ST1085, ST1100
- Capacity: Depends on lift selected
- Adapter weight: 243 lbs.
- Includes:
 - + Two flat sliding adapter receivers
 - + Two U-shaped pickup adapters



38000990

Extended Reach Adapter | 38000990

- For ST1064, ST1075, ST1085, ST1100
- Capacity: 14,500 lbs.
- Adapter weight: 353 lbs.
- Includes:
 - + Two flat sliding adapter receivers
 - + Two U-shaped pickup adapters



38010920

Agricultural Adapter | 38010920

- For ST1065
- Capacity: Depends on lift selected
- Adapter weight: 254 lbs.
- Includes:
 - + One adapter pin 1.57"
 - + Two flat slideable adapter with anti-slip top plates

Crossbeams

Users requiring Mobile Column Lifts to engage a lifting point other than the tire/rim assemblies (such as a fifth wheel or frame), are able to utilize Stertil-Koni Crossbeams to safely lift a variety of vehicles and trailers.

- + Lift trailers by the chassis
- + Lift trailers at kingpin coupling
- + Lift vehicles with low ground clearance
- + Lift three-wheel street sweepers
- + Lift trucks fitted with front and side hanging snow plows

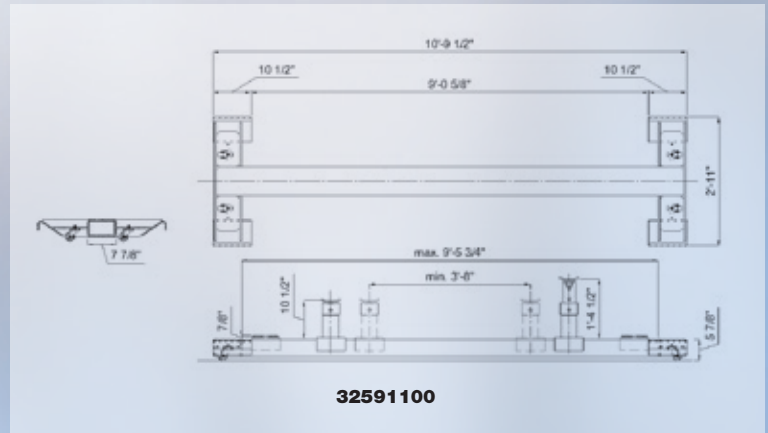
* All Crossbeams fit all standard Mobile Column Lifts.



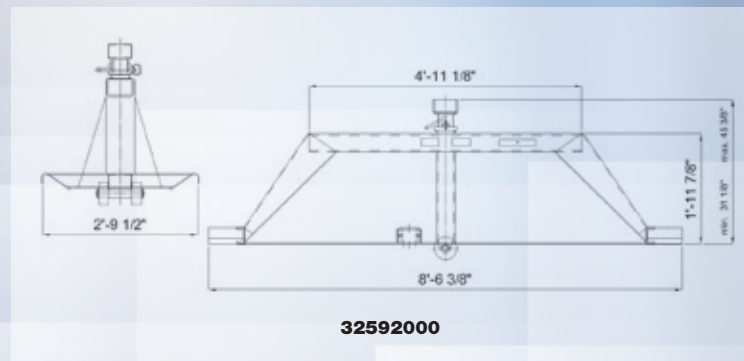
A Low Profile Crossbeam hoists a school bus allowing wheels-free access

Low Profile Crossbeam | 32591100

- For ST1064, ST1075, ST1085, ST1100
- Capacity: 18,800 lbs.



A Kingpin Crossbeam supports a military trailer on Mobile Column Lifts



Kingpin Crossbeam | 32592000

- For ST1064, ST1075, ST1085, ST1100
- Capacity: 16,000 lbs.

Base Frame & Lifting Fork Extensions

Traverse Crossbeam | 18-9081A-03

For ST 1064, ST 1075, ST 1085, ST 1100



Traverse Crossbeam makes easy work of lifting vehicles equipped with front and side hanging snow plows



Mobile Column Lifts have a Mechanical Locking System for added safety that starts at just 5" above floor height and continues throughout the full range of travel with locking intervals of 1 3/8"

Base Frame Extensions — Used with Lifting Fork Extensions for vehicles with recessed wheels (ST1064, ST1075, ST1085, ST1100)

Fork Extensions — Used with Base Frame Extensions (20" in overall length) for vehicles with recessed wheels (ST1064, ST1075, ST1085 and ST1100)

PRODUCT NAME	PER MOBILE COLUMN	LIFTING FORK STYLE	MODEL NO.
Set of 2 Base Frame Extensions	14,500 lbs.	Fixed wheels	34400910
Set of 2 Base Frame Extensions	14,500 lbs.	Retractable wheels	32710915
Single Fork Extension with Integrated Reduction Sleeve and Lock (right side)	14,500 lbs.	Adjustable forks	34200930
Single Fork Extensions with Integrated Reduction Sleeve and Locks (left side)	14,500 lbs.	Adjustable forks	34200935
Set of 2 Fork Extensions with Locks	14,500 lbs.	Adjustable forks	32700930



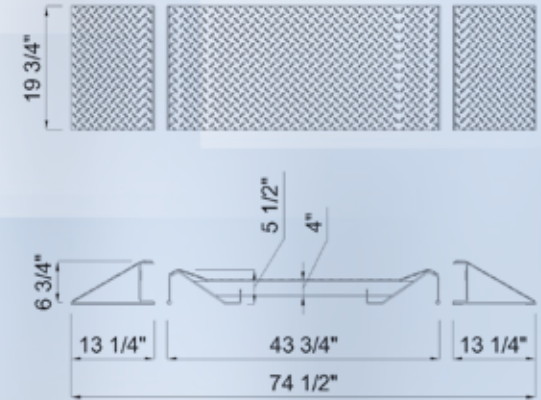
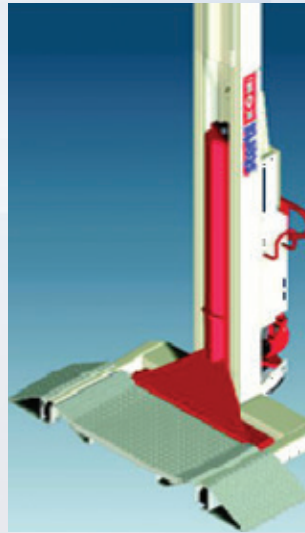
Mobile Column with base and Fork Extensions installed.

MOBILE COLUMN LIFT ACCESSORIES

Large Wheel Adapter

The Stertil-Koni Large Wheel Adapter is designed to service vehicles and agricultural equipment with extremely large diameter wheels. This Mobile Column Lift Adapter allows lifting of vehicles with wheel diameters of up to 85".

COLUMN LIFT	LARGE WHEEL ADAPTER MODEL	STANDARD WITH ADAPTER KIT
ST1065	32790210	Drive on/drive off ramps
ST1075 & ST1085	59002550	Drive on/drive off ramps
ST1175	32800910	Drive on/drive off ramps



Remote Control for Mobile Column Lifts

The Stertil-Koni Remote Control allows the operator to utilize the ebright Smart Control System, a 7" full-color touch-screen console on Mobile Column Lifts within the cable range.

- **38007789**
- 32½' cable
- Quick disconnect
- Emergency stop for added safety
- Compatible with all Stertil-Koni Mobile Column Lifts
- UL Approved



Lighting Fixtures

Illumination is available for all Mobile Column Lifts via two optional IP-67 rated, UL approved lighting fixtures. These lights ensure that the workspace around the lift is well illuminated to increase safety.

Lighting fixtures for:

- VDC wireless columns utilize LED technology | **38008900**
- VAC cabled columns utilize fluorescent technology | **38004900**

Light Kits come with:

- 2 Lights
- Brackets
- Cables



Forklift Adapter Kit

Stertil-Koni Forklift Adapter kits have been specifically engineered to efficiently lift heavy forklifts, which often have uneven weight distribution between the front and rear axles. Designed for use in conjunction with Stertil-Koni Mobile Column Lifts, these Adapter Kits can safely support up to 32,000 lbs. and work with three- and four-wheel forklifts.

- + Direct engagement with forklift body for maximum stability
- + Compatible with three- and four-wheel forklifts
- + Wheels-free lifting
- + 10 piece kit for 4-wheel applications
- + 12 piece kit designed for 3-wheel applications
- + Powder coated finish ensuring resistance to corrosion
- + **10 piece Four-Wheel Forklift Adapter Kit | 32593000**
- + **12 Piece Three-Wheel Forklift Adapter Kit | 32593100**



A Four-Wheel Forklift Adapter Kit on Mobile Column Lifts easily supports a forklift

View of Four-Wheel Forklift Adapter Kit undercarriage



stertil **KONI**
SKYLIFT

True Vertical Rise Platform Lift

Steril-Koni's SKYLIFT is a superior heavy duty platform lift that uniquely provides a "clear floor" concept with a true vertical rise. The SKYLIFT's design includes two independent platforms, vertical lifting, and no crossbeams or base frame. The SKYLIFT delivers free access from all sides and offers easy installation and minimal maintenance. Lifting capacities range from 62,400 lbs. to 78,000 lbs.

SKYLIFT Adjustable to Fit Your Fleet

- + Available in Flush, Semi-Flush or Surface Mounted
- + Fully hydraulic with mechanical locking system
- + Automatic safeguard against overloading or uncontrolled descent

- + Utilize as a single lift or operate two lifts in tandem
- + Can raise extra-long vehicles with platform configurations of up to 100 ft. in length and a total capacity of 156,000 lbs.
- + Flexible with regard to its width; during installation, the width between the platforms can be adjusted to fit any vehicle
- + Innovative Y-shaped construction makes lift streamlined for optimum space savings in the shop

SKYLIFT Models

For shop renovations or in new workshops, choose the SKYLIFT model that works best for you.

FLUSH MOUNTED



SURFACE MOUNTED

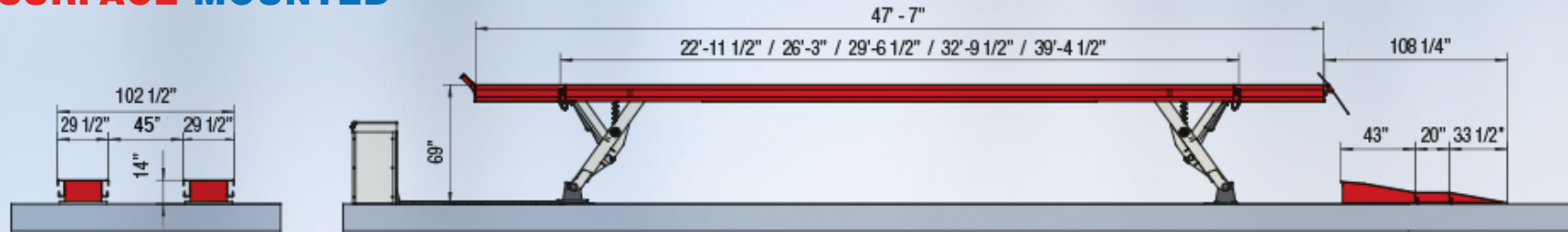


SKYLIFT

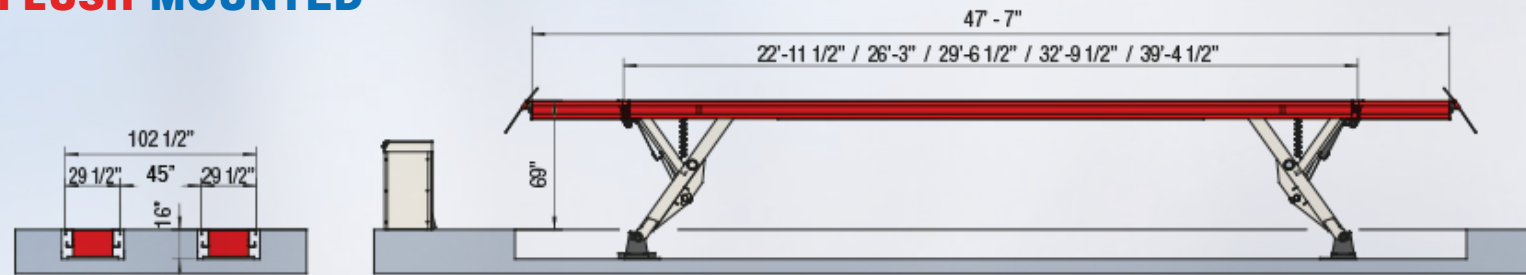
Product Specifications

MODEL	SKY 200	SKY 250
Lifting Capacity	62,400 lbs.	78,000 lbs.
Lifting System	Hydraulic	Hydraulic
Lifting Height	69 in.	69 in.
Lifting Time	90 sec	90 sec
Available Platform Lengths (ft)	23, 26, 30, 33, 40, 48	23, 26, 30, 33, 40, 48
Motor Capacity	18 hp	18 hp

SURFACE MOUNTED



FLUSH MOUNTED



All SKYLIFT models come standard with a Mechanical Locking System beginning at 4" of rise for added safety

Easy Drive-On, Drive-Off

Surface Mounted SKYLIFT

Standard segmented ramps are provided for drive-on/back-off operation. The opposite end of the platforms are fitted with a standard mechanical end-stop. Additional optional ramps are available in multiple lengths to facilitate access.

Flush Mounted SKYLIFT

Short transition plates are standard on the Flush Mounted lift. These plates also act as automatic wheel chocks.

SKYLIFT Features



OVERVIEW OF MODELS	SKY 200	SKY 250
“Clear floor” concept with true vertical rise	•	•
Electronic synchronization	•	•
Available in Surface- and Flush-Mounted models	•	•
Full 69-inch rise	•	•
Modular to allow custom platform lengths	•	•
Mechanical locking begins at 4 inches of rise	•	•
Minimal anchoring requirements	•	•
Programmable maximum lifting height	•	•
Galvanized Wash Bay version	✓	✓
Anti-skid coating on platforms	✓	✓
LED platform lighting	✓	✓
Compressed air in platforms	✓	✓
Automatic recess covers	✓	✓
Tandem operation	✓	✓
Remote control	✓	✓
Stainless steel control box	✓	✓
Stainless steel base plate	✓	✓
Jacking beams	✓	✓

KEY • Standard ✓ Option

Wash Bay Lift

The SKYLIFT Wash Bay model is water-resistant for wash bays, steam-cleaning and outdoor spaces. Manufactured with fully hot-dip galvanized platforms, anti-corrosion coating, and a water-resistant stainless steel control box, the Steril-Koni SKYLIFT Wash Bay is the most rugged of the SKYLIFT models — designed to meet all your heavy duty vehicle lifting and washing requirements. **Available in SKY200 or SKY250 models.**

Wash Bay Kit includes:

- + Platforms, drive-on ramps and base plates, hot galvanized
- + Upper/lower mechanical locking teeth with special coating
- + Lifting legs are 3-layer mono-pox coated
- + Stainless steel control box with lockable lid

Easy Control



Above Ground Controls

The SKYLIFT power unit and control components are located in an above ground control box. Benefits include:

- + Enhanced safety
- + Ease of use
- + No high voltage electric components below ground level
- + Ease of maintenance

SKYLIFT Accessories

Stertil-Koni offers an extensive range of SKYLIFT accessories and options tailored to fit your specific needs.



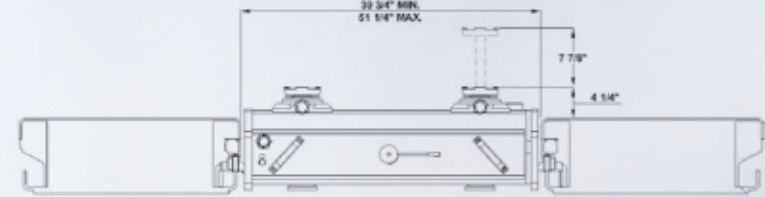
Jacking Beams

Stertil-Koni Jacking Beams are used for wheels-free access on the SKYLIFT. These air-driven hydraulic twin-piston Jacking Beams come in three models and are available for all SKYLIFTS. Capacities range from 26,400 lbs. to 44,000 lbs.

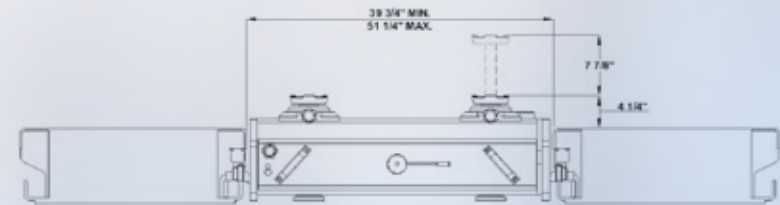
- + Pistons can be operated individually or in tandem
- + Equipped with independent Mechanical Locking System with gravity engaged locking pawls
- + Transversely sliding pistons
- + Adjustable frame (23 1/4"–35" or 33 1/2"–45 1/4") to fit all lifts
- + Hold-to-run controls for safety
- + Overload protection
- + Supplied with (2) 4" extensions, plus (2) flat adapters



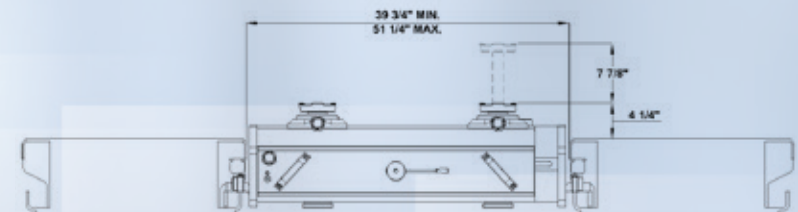
JB120-2 | 39615250



JB160-2 | 39616160



JB200-2 | 39618160



Jacking Beam Specifications

Anti-Skid Options

Stertil-Koni offers two Anti-Skid options:

- + Two-part epoxy coating
- + Self-adhesive, peel and stick Aluminum Diamond Plates with a high-shine finish | **66701106**

MODEL	JB120-2	JB160-2	JB200-2
Capacity	26,400 lbs.	35,200 lbs.	44,000 lbs.
Stroke	7 7/8"	7 7/8"	7 7/8"
Minimum Height	4 1/4"	4 1/4"	4 1/4"
Maximum Height	4 1/4" + 7 7/8"	4 1/4" + 7 7/8"	4 1/4" + 7 7/8"
Width Range Small Frame	23 1/4" – 35"	23 1/4" – 35"	23 1/4" – 35"
Width Range Wide Frame	33 1/2" – 45 1/4"	33 1/2" – 45 1/4"	33 1/2" – 45 1/4"
Depth	26 1/4"	26 1/4"	26 1/4"
Lifting Points (Distance)	7 7/8" – 35 3/8"	7 7/8" – 35 3/8"	7 7/8" – 35 3/8"
Air Supply	116 – 174 PSI	116 – 174 PSI	120 – 175 PSI
Weight	446 lbs.	446 lbs.	446 lbs.

* The capacity of the jacking beam cannot exceed 0.66 X the lift capacity. Please check with your local distributor as to which Stertil-Koni lifting systems, accessories and shop equipment are ALI certified.



Two-part epoxy anti-skid in grey and red



Remote Control



The Stertil-Koni Remote Control allows the user to operate the lift remotely from the control box. The UL approved remote comes equipped with emergency stop and a 33' cable.

- + Remote control UL approved with 32' 10" cable | **34007940**



Aluminum Diamond Plates



Tandem Lift Synchronization Kit

The tandem kit allows two lifts to be operated independently or two lifts operating in tandem.

This tandem SKYLIFT supports an extra-long auto transporter



Compressed Air in Platforms

The Compressed Air in Platforms option allows the addition of a compressed air piping system onto the platforms of the SKYLIFT for convenient use of air tools.

- + Air Installation Kit with 11.5' spiral hose | **39509105**
- + Air Pipe Kit with 8' air pipe, brackets and one outlet | **39509100**
- + Depending on length of lift, more than one kit may be needed



SKYLIFT Accessories

Set of two Reverse Roll-Off Protection units containing one left and one right version | **32591100**

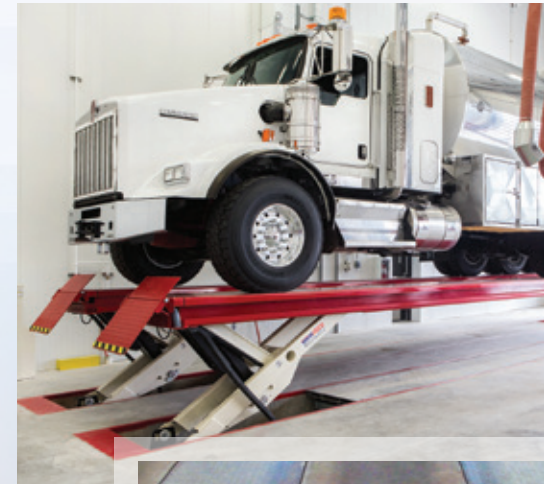
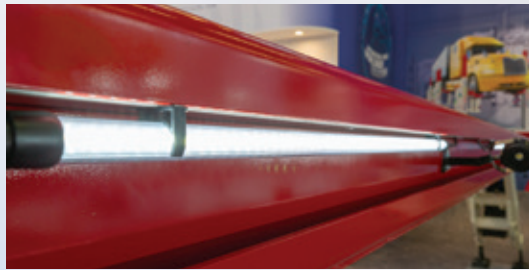


fit your needs

LED Lighting

Stertil-Koni Platform LED lighting is available for SKYLIFT. These lighting kits consist of directional high-output LED lamps. These lamps are virtually unbreakable and as bright as conventional fluorescent tubes. Pre-assembled 40" tubes with transformer and mounting hardware.

- + Modular plug-and-play design for expandability
- + Slimline design
- + IP-65 water resistant
- + Eco-friendly, ultra-long life LED



Automatic Pit Cover Plates

Automatic Pit Cover Plates are an option that utilizes hot-dip galvanized plates as an extendable floor in the foundation of a Flush Mounted SKYLIFT. The Cover Plates travel up as the lift rises.

- + Rated for 3,300 lbs.
- + Mechanically locked into place when SKYLIFT is elevated
- + Mechanically driven – no additional power requirements

SKYLIFT MODELS	PLATFORM LENGTH	LED FIXTURES	LED LIGHTING KIT
SKY 200 / SKY 250	23' 26"	8	41309110
SKY 200 / SKY 250	30' 33"	10	41309120
SKY 200 / SKY 250	40"	12	41309130
SKY 200 / SKY 250	48"	14	41309145
Platform extension		2 plus brackets and cable set	41309135
Factory installation	Any length		OPVL39100

All models come with 1 power transformer / UL approved.



DIAMONDLIFT is available in two-, three-, and four-piston configurations to satisfy all of your fleet requirements

stertil® **KONI**
DIAMOND LIFT

State-of-the-Art Inground Piston DIAMONDLIFT

The Stertil-Koni telescopic piston DIAMONDLIFT has set a new industry standard for inground lifts. Whether you are constructing a new facility, renovating a workshop, or have challenging building conditions, the DIAMONDLIFT can be configured to meet your needs. It is available in two-, three-, and four-piston configurations to satisfy all of your fleet requirements.

- + Lifting capacity up to 35,000 lbs. per piston
- + Electronically synchronized for maximum safety and convenience
- + Hard-chrome plated piston rods for ultimate protection against corrosion, wear and debris
- + Mechanical Locking System utilizes a hardened locking rod for safe lifting and lowering
- + Above ground, free-standing console provides easy access
- + Utilizes advanced, full color touch-screen technology, the eBright Smart Control System, for fingertip control
- + Low oil volume – only 4.8 gallons of biodegradable hydraulic fluid required per piston
- + Skid-resistant anodized aluminum trench covers with 13,500 lbs. drive-over load
- + ALI Gold Certification Label
- + Continuous Recess® movable lifting system available

Frame and Cassette Versions Available

DIAMONDLIFT models are available in two versions, providing customers with Freedom of Choice for a variety of workshop situations.

FRAME VERSION

Engineered for concrete foundations, it offers tailor-made travel ranges thanks to its modular configuration. This style of DIAMONDLIFT can be installed in existing pits, delivering substantial time savings and cost-benefits.

Both versions are available in two-, three-, and four-piston configurations with a lifting capacity of up to 35,000 lbs. per piston or a total of 140,000 lbs. in the four-piston configuration.

CASSETTE VERSION

Engineered with a pre-fabricated, seamless steel containment that is coated with Stertil-Koni's DiamondGuard eliminating any concerns about electrolysis, corrosion and the possibility of workshop fluids contaminating the environment. Travel ranges are 10, 13 and 17 feet.

Mechanical Locking System

Stertil-Koni provides a robust Mechanical Locking System independent of the hydraulic cylinder on all DIAMONDLIFT models. When lowered onto the locks, the vehicle is fully supported by solid steel locking rods — eliminating the possibility of unexpected lowering.



DIAMONDLIFT
Mechanical Locking
System

Product Specifications

DIAMONDLIFT MODEL	64/2 PISTON	70/2 PISTON	96/3 PISTON	105/3 PISTON	128/4 PISTON	140/4 PISTON
Lifting Capacity	64,000 lbs.	70,000 lbs.	96,000 lbs.	105,000 lbs.	128,000 lbs.	140,000 lbs.
Lifting Height	73 in.	73 in.	73 in.	73 in.	73 in.	73 in.
Pit Depth	72 in.	72 in.	72 in.	72 in.	72 in.	72 in.
Travel Range	10, 13, 17 ft.	10, 13, 17 ft.	10, 13, 17 ft.	10, 13, 17 ft.	10, 13, 17 ft.	10, 13, 17 ft.
Minimum Wheel Base	48 in.	48 in.	48 in.	48 in.	48 in.	48 in.
Lifting Time	90 sec	90 sec	90 sec	90 sec	90 sec	90 sec
Compressed Air	90 PSI at 5CFM	90 PSI at 5CFM	90 PSI at 5CFM	90 PSI at 5CFM	90 PSI at 5CFM	90 PSI at 5CFM
Electrical	208-230/460/575	208-230/460/575	208-230/460/575	208-230/460/575	208-230/460/575	208-230/460/575
Motor Power	2 X 5 hp	2 X 5 hp	3 X 5 hp	3 X 5 hp	4 X 5 hp	4 X 5 hp

Continuous Recess®

All DIAMONDLIFT models are now available with the optional Continuous Recess® system. Designed to accommodate low-clearance vehicles, the Continuous Recess® system allows the movable lifting unit to be lowered into the floor anywhere within its range of travel and move horizontally while fully recessed. The result? Users can safely lift articulated buses, transit buses and other low-clearance vehicles without risking undercarriage damage.

**CONTINUOUS
RECESS** 



DIAMONDLIFT Features

DIAMONDLIFT MODELS

FEATURES OVERVIEW

	DIAMOND 64	DIAMOND 64CR	DIAMOND 64F	DIAMOND 64FCR	DIAMOND 70	DIAMOND 70CR	DIAMOND 70F	DIAMOND 70FCR	DIAMOND 96	DIAMOND 96CR	DIAMOND 96F	DIAMOND 96FCR	DIAMOND 105	DIAMOND 105CR	DIAMOND 105F	DIAMOND 105FCR	DIAMOND 128	DIAMOND 128CR	DIAMOND 128F	DIAMOND 128FCR	DIAMOND 140	DIAMOND 140CR	DIAMOND 140F	DIAMOND 140FCR
Freestanding control console with ebright Smart Control System	•	•	•	•	•	•	•	•	•	•	•	•	•	•	•	•	•	•	•	•	•	•	•	•
Touch-screen with important information about the system, e.g., lifting height, operation mode	•	•	•	•	•	•	•	•	•	•	•	•	•	•	•	•	•	•	•	•	•	•	•	•
Quantity of lifting units	2	2	2	2	2	2	2	3	3	3	3	3	3	3	4	4	4	4	4	4	4	4	4	
Seamless steel containment box (cassette)	•	•		•	•			•	•		•	•			•	•			•	•				
Engineered for concrete foundations			•	•		•	•			•	•		•	•			•	•			•	•		
Home pocket allowing movable lifting unit to be recessed into the floor at dedicated park position only	•	•		•	•		•	•		•	•		•	•		•	•		•	•		•	•	
Continuous Recess® allowing movable lifting unit to be recessed into the floor anywhere within range of travel		•		•		•		•		•		•		•		•		•		•		•		
Liquid detection (detects accumulation of liquids in the pit)	•	•	•	•	•	•	•	•	•	•	•	•	•	•	•	•	•	•	•	•	•	•	•	
Automatic sump pumps	✓	✓	✓	✓	✓	✓	✓	✓	✓	✓	✓	✓	✓	✓	✓	✓	✓	✓	✓	✓	✓	✓	✓	

KEY

• Standard

✓ Option



Above Ground Controls

The DIAMONDLIFT power unit and control components are located in an above ground console.

- + Enhanced safety
- + Ease of use
- + Durability — not exposed to corrosive pit environment
- + No need to access a pit
- + No high voltage electric components below ground level
- + Ease of maintenance

DIAMONDLIFT Accessories

Stertil-Koni offers an extensive range of DIAMONDLIFT accessories and options tailored to fit your specific needs.



Transit buses are easily supported by Stertil-Koni's DIAMONDLIFT



Remote Control | RBV050-00

An optional, detachable, wired Remote Control is available. This full-function Remote Control with an Emergency Stop operates in addition to the lift's standard control console. The Remote Control comes with 35' cable and quick disconnect.

A longer cable is available upon request.



Inground Adapter Kits

Inground Adapter Kits are engineered to facilitate more efficient lifting by engaging the front and rear lifting points on buses and trucks. One kit is expressly designed for transit buses and another is suitable for both trucks and school buses.

Stertil-Koni's school bus and truck adapters are constructed to be wider and taller, while transit bus adapters are flatter and broader. The adapters are optimized for both new vehicles with the latest axles as well as older vehicles that have been on the road for some time.

Each kit contains various front and rear adapters and is included, as standard, with new inground lift purchases from Stertil-Koni.

- + Transit bus adapters | **APF01-00D**
- + School bus and truck adapters | **APF02-00D**

Convenient and

Stertil-Koni Offers Easy Storage Solutions



Differential Adapter | A34122-00

The Stertil-Koni DIAMONDLIFT Differential Adapter allows vehicles to be lifted by the rear differential. Lifting by the rear differential is particularly helpful when the axle tube (the typical lifting point for most heavy duty vehicles) is obstructed by sway bars, automatic snow chains, or other elements that make it difficult to reach the axle tube.

The adapter is ideal for lifting and servicing small, medium and large pickup trucks, as well as smaller school buses, with a maximum axle weight of 10,000 lbs. The adapter is an ALI/ALCTV certified accessory for all models of DIAMONDLIFT.

This adapter “cradles” the differential and is self-centering due to its spring-loaded ball bearings (meaning it centers itself underneath the differential), making the setup and use quick, easy, convenient and safe.

Once engaged, the spring-loaded ball bearings retract and allow full contact between the Differential Adapter and the lifting bolster to ensure safe and stable lifting.



Adapter Cart

ST130-00

- Heavy duty casters allow for easy relocation
- Allows storage of all adapters



Adapter Stand

AS100-00

- Fixed model anchors to the floor
- Allows storage of all adapters

Safe



Automatic Sump Pump

D662P-00

Stertil-Koni offers Automatic Sump Pumps to remove any accumulation of liquids (e.g. snow melt, rain water runoff, leaked shop fluids) from lift pits.

Red/Green Stack Light

BEACON-00

The Home Light beacon, when illuminated green, informs the operator that all lifting units are fully lowered and it is safe for the vehicle to enter or exit the bay.



The state-of-the-art DIAMONDLIFT provides heavy duty lifting in a variety of workshop situations

ECOLIFT

Inground Scissor ECOLIFT

The Stertil-Koni ECOLIFT is the industry's leading ultra-shallow, full-rise, axle-engaging inground scissor lift. It is ideal for lifting buses, trucks, utility vehicles and many other heavy duty vehicles. Maintenance techs appreciate that ECOLIFT provides full access to the vehicle undercarriage while delivering wheels-free lifting. It is available in two-, three-, and four-scissor configurations, to satisfy all of your fleet requirements.

sterdil[®] **KONI**
 **ECOLIFT**



- + Lifting capacity of 30,000 lbs. per lifting unit
- + Electronically synchronized for maximum safety and convenience
- + Ultra-shallow pit design at 34"
- + Mechanical Locking System for safe lifting and lowering
- + Above ground free-standing console provides easy access
- + Utilizes advanced, full color touch-screen technology, the ebright Smart Control System, for fingertip control
- + Low oil volume – only 3.5 gallons of hydraulic fluid required per scissor
- + Skid-resistant anodized aluminum trench covers with 13,500 lbs. drive-over load
- + ALI Gold Certification Label
- + Continuous Recess® movable lifting system

Product Specifications



ECOLIFT MODEL	ECO 60	ECO 90	ECO 120
Lifting Capacity	60,000 lbs.	90,000 lbs.	120,000 lbs.
Lifting Height	70 in.	70 in.	70 in.
Pit Depth	34 in.	34 in.	34 in.
Travel Range	10, 13, 17 ft.	10, 13, 17 ft.	10, 13, 17 ft.
Minimum Wheel Base	48 in.	48 in.	48 in.
Lifting Time	90 sec	90 sec	90 sec
Compressed Air	90 PSI at 5CFM	90 PSI at 5CFM	90 PSI at 5CFM
Electrical	208-230/460/575	208-230/460/575	208-230/460/575
Motor Power	2 X 5 hp	3 X 5 hp	4 X 5 hp



Mechanical Locking System

Stertil-Koni provides a robust Mechanical Locking System independent of the hydraulic cylinder on all ECOLIFT models. When lowered onto the locks, the vehicle is fully supported by high-tensile steel teeth for added safety, eliminating the possibility of unexpected lowering.



ECOLIFT is ideal for lifting buses, trucks, utility vehicles and many other heavy duty vehicles



Standard Continuous Recess®

All ECOLIFT models come standard with the Continuous Recess® system. Designed to accommodate low-clearance vehicles, the Continuous Recess® system allows the movable lifting unit to be lowered into the floor anywhere within its range of travel and move horizontally while fully recessed. The result? Users can safely lift articulated buses, transit buses, and other low-clearance vehicles without risking undercarriage damage.

ECOLIFT Features

ECOLIFT MODEL	ECO 60	ECO 90	ECO 120
Free-standing control console with ebright Smart Control	•	•	•
Touch-screen with important information about the system, e.g., lifting height, operation mode	•	•	•
Quantity of lifting units	2	3	4
Continuous Recess® allowing movable lifting units to be recessed into the floor anywhere within range of travel	•	•	•

EASY INSTALLATION

Stertil-Koni ECOLIFT is the leading relocatable inground lifting system. Delivered to your site, pre-assembled and tested, its drop-in/bolt-in design makes the installation process quick and easy. Plus, there are no lift components embedded in concrete, also minimizing installation time and expense.

ULTRA-SHALLOW CONSTRUCTION

The ultra-shallow ECOLIFT foundation – only 34” deep – is the solution to challenging soil conditions such as bedrock and high ground water.

FREE-STANDING CONTROL UNIT

The ECOLIFT above ground free-standing console provides easy access and utilizes advanced, full color touchscreen technology – the ebright Smart Control System, for fingertip control.

ECO-FRIENDLY

ECOLIFT utilizes high pressure, low volume cylinders requiring only 3.5 gallons of hydraulic fluid each, reducing its carbon foot print.



ECOLIFT Accessories

Stertil-Koni offers an extensive range of ECOLIFT accessories and options tailored to fit your specific needs.

Inground Adapter Kits

Inground Adapter Kits are engineered to facilitate more efficient lifting by engaging the front and rear lifting points on buses and trucks. One kit is expressly designed for transit buses and another is suitable for both trucks and school buses.

Stertil-Koni's school bus and truck adapters are constructed to be wider and taller, while transit bus adapters are flatter and broader. The adapters are optimized for both new vehicles with the latest axles as well as older vehicles that have been on the road for some time.

Each kit contains multiple front and rear adapters, and are included, as standard, with new inground lift purchases from Stertil-Koni.

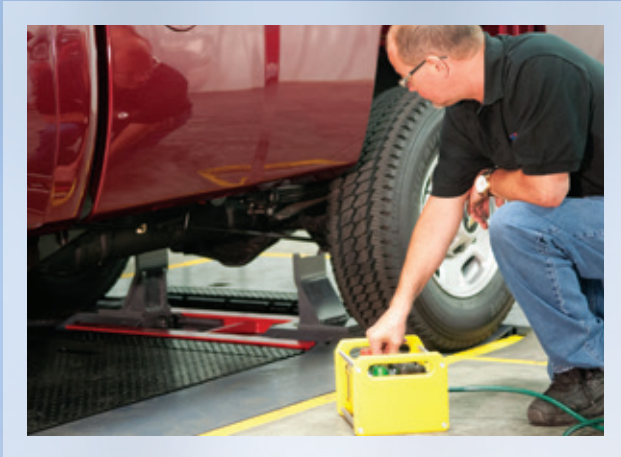
- + Transit bus adapters | **APF01-00E**
- + School bus and truck adapters | **APF02-00E**



Truck and School Bus adapters APF01-00E



Transit Bus adapters APF02-00E



Remote Control | RBV050-00

An optional, detachable, wired Remote Control is available. This full-function Remote Control with an Emergency Stop operates in addition to the lift's standard control console. The Remote Control comes with 35' cable and quick disconnect. A longer cable is available upon request.

Stertil-Koni Offers Easy Storage Solutions



Adapter Cart

ST110-00

- Heavy duty casters allow for easy relocation
- Allows storage of all adapters and floor cover plates

Adapter Stand

AS100-00

- Fixed model anchors to the floor
- Allows storage of all adapters



Red/Green Stack Light

BEACON-00

The Home Light beacon, when illuminated green, informs the operator that all lifting units are fully lowered and it is safe for the vehicle to enter or exit the bay.

2-POST FREEDOMLIFT

2-POST FREEDOMLIFT



stertil **KONI**
FREEDOMLIFT

- + Available in five models
- + Flexible and efficient
- + Optimal workshop space
- + Single and double telescopic arms
- + Extended Flex Arms (EFA) available on 2.16 models, offers maximum flexibility

Product Specifications

MODEL	SK 2.16EFA	SK 2.16	SK 2.20	SK 2.26	SK 2.30
Lifting Capacity	16,000 lbs.	16,000 lbs.	20,000 lbs.	26,000 lbs.	30,000 lbs.
Lifting Height	80.7 in.	80.6 in.	77.9-78.5 in.	77.9-78.5 in.	77.9-78.5 in.
Pick-up Height	5.82-7.91 in.	5.82-7.82 in.	5.1-5.7 in.	5.1-5.7 in.	5.1-5.7 in.
Minimum Single Telescopic Arm Length	N/A	N/A	38.2 in.	38.2 in.	38.2 in.
Maximum Single Telescopic Arm Length	N/A	N/A	63.4 in.	63.4 in.	63.4 in.
Minimum Double Telescopic Arm Length	19.5 in.	35.4 in.	35.4 in.	35.4 in.	35.4 in.
Maximum Double Telescopic Arm Length	56.3 in.	77.2 in.	76.4 in.	76.4 in.	76.4 in.
Lifting Time	58 sec	58 sec	58 sec	95 sec	95 sec
Motor Size	4 hp	4 hp	4 hp	4 hp	4 hp

All models offer flexible dimensions.

Optimize Work Space with FREEDOMLIFT

The Stertil-Koni 2-Post FREEDOMLIFT combines peak performance and safety through a symmetrical, open-floor design that optimizes workspace in the shop. This 2-Post Lift is quick and easy to install due to the short height of the posts and its minimal base plates. Engineered to lift a broad range of medium and heavy duty vehicles, capacities of the FREEDOMLIFT range from 16,000 lbs. to 30,000 lbs.



Customize your FREEDOMLIFT.
Stertil-Koni offers different
arm configurations for various
widths between the columns

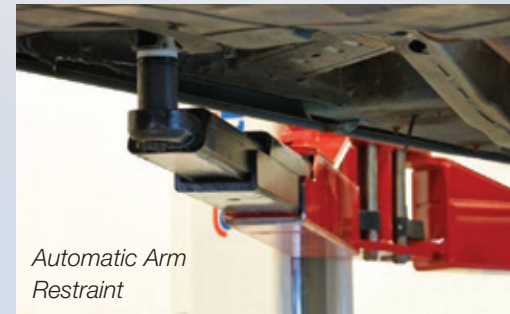
FREEDOMLIFT Features

2-POST FREEDOMLIFT MODEL	2.16-EFA	2.16-33	2.20-22	2.20-23	2.20-33	2.26-22	2.26-23	2.26-33	2.30-22	2.30-23	2.30-33
Electronic Synchronization	•	•	•	•	•	•	•	•	•	•	•
Programmable Maximum Lifting Height	•	•	•	•	•	•	•	•	•	•	•
No Overhead Crossbeam	•	•	•	•	•	•	•	•	•	•	•
Two Stage Arms			•	•		•	•		•	•	
Three Stage Arms	•	•		•	•		•	•		•	•
Automatic Arm Restraints	•	•	•	•	•	•	•	•	•	•	•
Second Control Box	✓	✓	✓	✓	✓	✓	✓	✓	✓	✓	✓
Post Lighting	✓	✓	✓	✓	✓	✓	✓	✓	✓	✓	✓
Wide Range of Adapters	✓	✓	✓	✓	✓	✓	✓	✓	✓	✓	✓

KEY • Standard ✓ Option

Automatic Arm Restraints

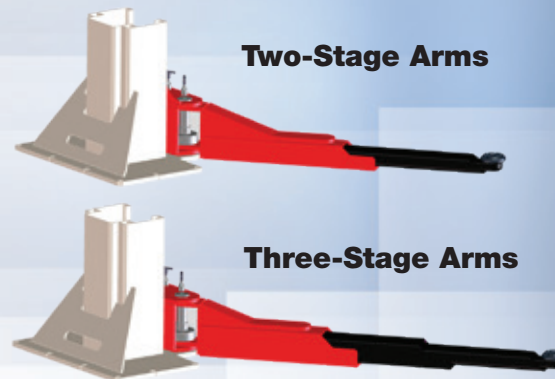
- + Independent Mechanical Restraint System engages when the lift rises above floor level.
- + Locking pawl engaged by gravity



Automatic Arm Restraint

Two or Three Stage Arms

Stertil-Koni FREEDOMLIFT is available with Two-Stage or Three-Stage Arms or a combination of both. Different arm configurations can be chosen for various widths between the columns. The 2-Post Lift is constructed with integrated sliding plates in the arms to ensure easy adjustment.



Two-Stage Arms

Three-Stage Arms



FREEDOMLIFT Accessories

Stertil-Koni offers an extensive range of FREEDOMLIFT accessories and options tailored to fit your specific needs.

2-Post Lift Adapters & Height Extensions

For lifting a variety of vehicles, Stertil-Koni has designed a wide-range of stackable adapters.

LED Lighting

35000950

Designed with safety in mind, the Stertil-Koni LED Lighting Set brightly illuminates the undercarriage of the raised vehicle. The 2-Post FREEDOMLIFT series LED Lighting Set is water-resistant, UL approved and comes with four LED lights, a power transformer, brackets and cables.

- + Modular plug-and-play design for expandability
- + Slimline design
- + 24VDC operation
- + Eco-friendly, ultra-long life LEDs



Model SK 2.16

- 1 Telescopic threaded pickup points, range 6" to 9" | **330003915**
- 2 Externally threaded bushing to hold any contact adapter | **35000301**
- 3 Flat rubber capped contact adapter with external threads to provide height adjustment 5" | **30003100**
- 4 Support extension 1.5" | **35000306**
- 5 Support extension 3.5" | **37003909**
- 6 Support extension 6.3" | **37003916**
- 7 Support extension 10" | **37003925**



Models SK 2.20, SK 2.26 & SK 2.30

- 1 Toothed steel slip-in pickup pad, square 4 5/16" | **39225983**
- 2 Flat steel pickup pad | **4310.09.04.00**
- 3 U-shaped steel pickup pad | **4310.09.06.00**
- 4 V-shaped steel pickup pad | **4310.00.05.00**
- 5 Support extension 1.5" | **35000306**
- 6 Support extension 3.5" | **37003909**
- 7 Support extension 6.3" | **37003916**
- 8 Support extension 10" | **37003925**



4-POST LIFTS

- + Dependable hydraulic technology
- + Low drive-on height
- + Ideal for low ground clearance vehicles
- + Platforms available in multiple lengths
- + Automatic overload protection
- + Independent Mechanical Locking System
- + Tandem configurations available

stertil **KONI**
4-POST LIFT

Dependable Platform Lift

Stertil-Koni heavy duty 4-Post Platform Lifts are available in four models and suitable for lifting a wide-range of vehicles – even three-wheel forklift trucks. Its maximum lifting height, up to 75”, offers optimal access to a vehicle’s undercarriage. With minimal moving parts, the 4-Post typically requires less service, repair and maintenance than conventional Platform Lifts.

Product Specifications

MODEL	ST 4120	ST 4175	ST 4250	ST 4600
Lifting Capacity	30,000 lbs.	50,000 lbs.	66,000 lbs.	132,000 lbs.
Lifting System	Hydraulic	Hydraulic	Hydraulic	Hydraulic
Lifting Height	74.5 in.	75 in.	75 in.	74 in.
Lifting Time	90 sec	72 sec	72 sec	190 sec
Motor	1 X 7.5 hp	4 X 3 hp	4 X 3 hp	4 X 3 hp

4-Post Platform Models

ST 4120

Ideal for vans, trucks and forklift trucks, the Stertil-Koni 4-Post Lift is recognized as one of the most advanced and unique medium capacity lifts in the industry. The ST 4120 has a space-saving design with a hydraulic cylinder in every post. It is electronically synchronized with potentiometers linked to a microprocessor that precisely monitors parallel lifting of the two platforms.

ST 4175

Completely free of crossbeams, this Platform Lift ensures total access to the vehicle. In addition, the drive-on height is just 9½" and it has an always active Mechanical Locking System.

ST 4250

This unique Platform Lift delivers a robust capacity of 66,000 lbs. The ST 4250 is also free of crossbeams and engineered with low-maintenance hydraulics.

ST 4600

This model is regarded as the largest Platform Lift of its type in North America. Its lifting capacity is 132,000 lbs. with extra-long platform length at 39'.

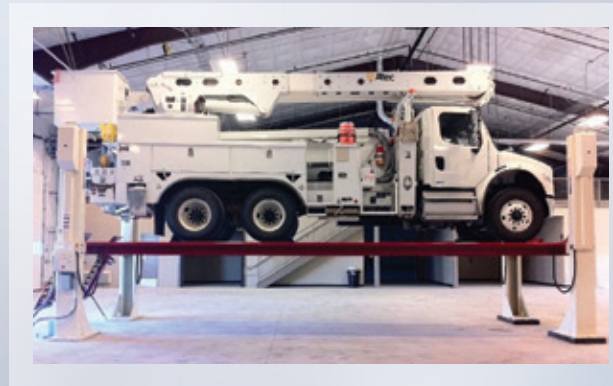
Available Runway Lengths

Model	Runway Length
ST 4120-4	15 ft.
ST 4120-6	20 ft.
ST 4120-8	26 ft.
ST 4120-10	33 ft.
ST 4175-6	20 ft.
ST 4175-8	26 ft.
ST 4175-9	30 ft.
ST 4175-10	33 ft.
ST 4175-11.5	38 ft.
ST 4250-6	20 ft.
ST 4250-8	26 ft.
ST 4250-9	30 ft.
ST 4250-10	33 ft.
ST 4250-11.5	38 ft.
ST 4600-12	39 ft.

All Stertil-Koni 4-Post Platform Lifts can be combined into tandem configurations.



4-Post Lift Features



OVERVIEW OF MODELS	4120	4175	4250	4600
No Crossbeams		•	•	
Electronic Synchronization	•	•	•	•
Programmable Max. Lifting Height	•	•	•	•
Adjustable Platform Spacing	•	•	•	•
Anti-Skid	✓	✓	✓	✓
Runway Lighting	✓	✓	✓	✓
Air in Runways	✓	✓	✓	✓
Tandem Operation	✓	✓	✓	✓
Third Ramp for 3-Wheel Forklifts	✓			
Remote Control	✓	✓	✓	✓
Jacking Beams	✓	✓	✓	✓

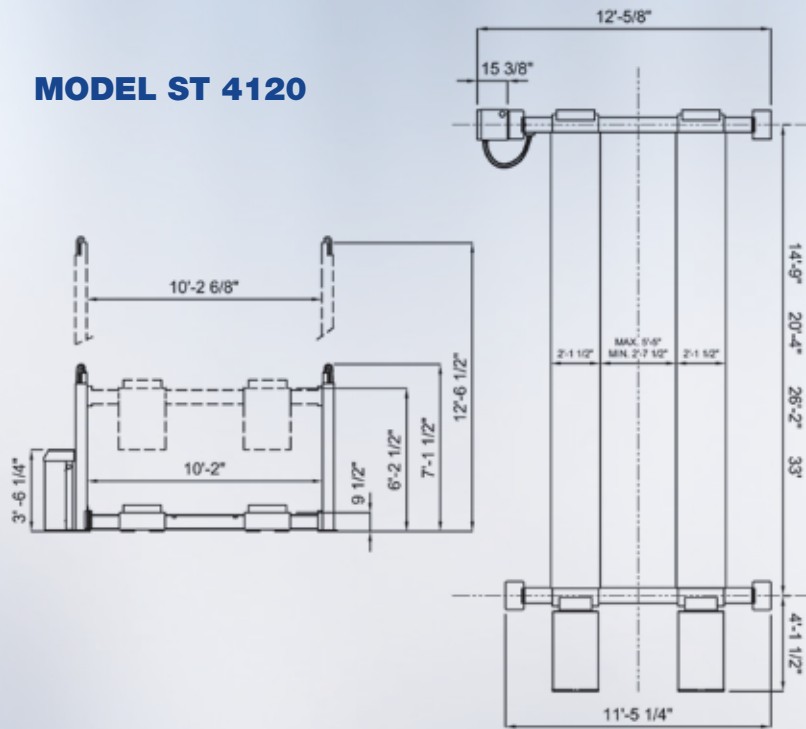
KEY • Standard ✓ Option

SCHEMATIC KEY

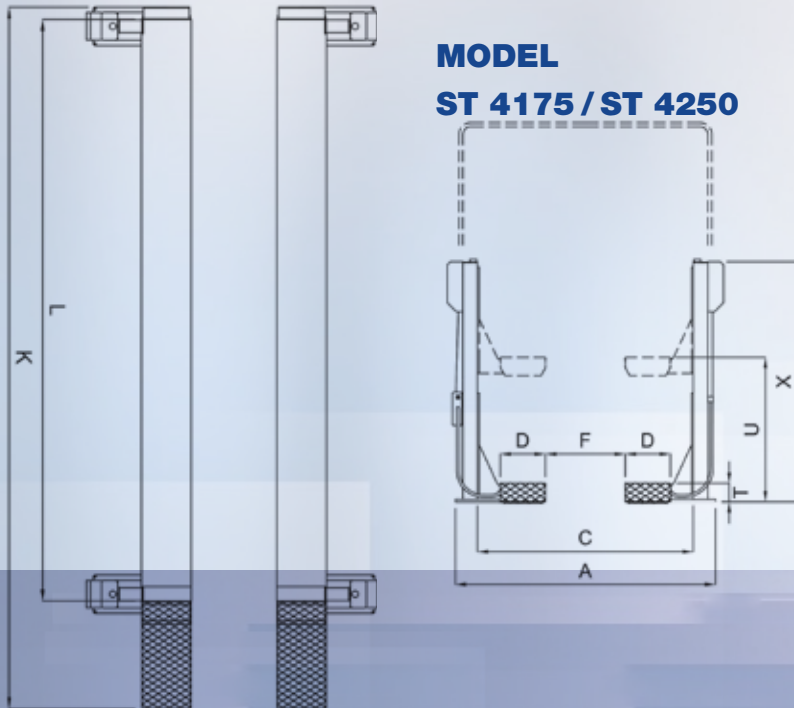
ST 4175	K	L	A	C	D	F	T	U	X
19' - 8 1/16"	24' - 5 1/2"	20' - 3 9/16"							
26' - 2 3/4"	31' - 3 3/16"	26' - 10 1/4"				(23' - 5/8")*			
29' - 6 1/8"	34' - 3 9/16"	30' - 1 9/16"	12' - 8 1/16"	10' - 7 5/15"	27' - 9/16"		9 1/16"	6' - 3"	11' - 10 7/16"
32' - 9 7/16"	37' - 6 7/8"	33' - 4 15/16"				(47' - 1/4")*			
37' - 8 7/16"	42' - 5 7/8"	38' - 3 15/16"							
ST 4250	K	L	A	C	D	F	T	U	X
19' - 7 11/16"	25' - 6 1/8"	20' - 3 15/16"							
26' - 2 1/8"	32' - 13/16"	26' - 10 1/4"				(39' - 3/8")*			
29' - 5 5/16"	35' - 4 1/8"	30' - 1 15/16"	12' - 11 7/16"	10' - 9 1/16"	27' - 9/16"		11 1/4"	6' - 3"	11' - 11"
32' - 9 1/16"	38' - 7 1/2"	33' - 5 5/16"				(47' - 1/4")*			
37' - 8 1/16"	43' - 6 1/2"	38' - 4 5/16"							

* Flexible dimensions, depending on working width

MODEL ST 4120



MODEL ST 4175 / ST 4250



4-Post Lift Accessories

Stertil-Koni offers an extensive range of 4-Post Lift accessories and options tailored to fit your specific needs.

LED Lighting

Designed with safety in mind, these LED lighting sets brightly illuminate the undercarriage of the raised vehicle. LED Lighting Sets are available for all platform sizes. The UL approved sets include LED fixtures, a power transformer and cables.

- + Modular plug-and-play design for expandability
- + Slimline design
- + 24VDC operation
- + Eco-friendly, ultra-long life LEDs



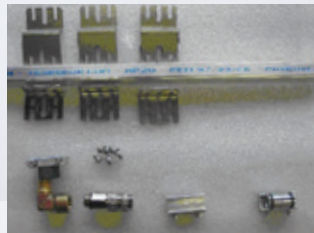
4-POST MODELS	PLATFORM SIZE	LED FIXTURES	LED LIGHTING KIT
ST 4120	15'	4	41229350
ST 4120	20'	6	41219350
ST 4120	26'	8	41209350
ST 4120	33'	10	41239350
ST 4175/4250	20'	6	42539170
ST 4175/4250	26'	8	42519170
ST 4175/4250	30' & 33'	8	42529170
ST 4175/4250	38'	12	42549170

Compressed Air in Platforms

Stertil-Koni offers a system with parts and hardware to install a compressed air piping system into the platforms of the 4-Post Lift, allowing connection for vital air tools.

The Compressed Air Installation Kit comes with an 8' air pipe, one outlet and an 11' slimline hose. This provides an approximate 20' reach.

- + Air kit for ST 4120, ST 4175, ST 4250 comes with 8' air pipe, brackets and one outlet | **39509100**
- + Hose kit for ST 4120, ST 4175, ST 4250 comes with 11.5' spiral hose | **39509105**
- + Depending on length of lift, more than one kit may be needed



Third Platform for Forklifts

Stertil-Koni offers a Third Platform for raising and servicing three-wheel forklifts, only available with ST 4120.

- + For platform length 49"- capacity 4,000 lbs. Not used in combination with long drive-on/off ramps. | **41209100**
- + For platform length 49"- capacity 4,000 lbs. Used only in combination with long drive-on/off ramps | **41209200**

Remote Control

The Stertil-Koni Remote Control allows the user to operate the lift remotely from the control box. The UL approved remote comes equipped with emergency stop and a 33' cable.

- + Remote control UL approved with 32' 10" cable | **34007940**



Smart Options

Jacking Beam Specifications



Jacking Beams

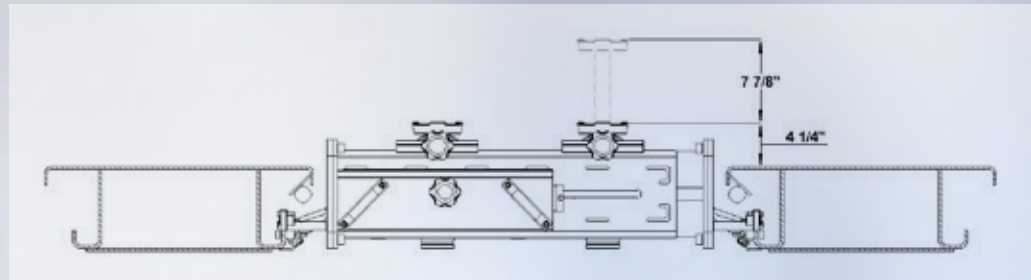
Steril-Koni Jacking Beams are used for wheels-free access on 4-Post Lift models. These air-driven hydraulic twin-piston Jacking Beams come in four models and are available for all 4-Post models. Capacities range from 17,600 lbs. to 44,000 lbs.

- + Pistons can be operated individually or in tandem
- + Equipped with independent Mechanical Locking System with gravity engaged locking pawls
- + Transversely sliding pistons
- + Adjustable frame (23 1/4"–35" or 33 1/2"–45 1/4") to fit all lifts
- + Hold-to-run controls for safety
- + Overload protection
- + Supplied with (2) 4" extensions, plus (2) flat adapters



MODEL	JB80-2	JB120-2	JB160-2	JB200-2
Capacity	17,600 lbs.	26,400 lbs.	32,500 lbs.	44,000 lbs.
Stroke	7 7/8"	7 7/8"	7 7/8"	7 7/8"
Minimum Height	4 1/4"	4 1/4"	4 1/4"	4 1/4"
Maximum Height	4 1/4" + 7 7/8"	4 1/4" + 7 7/8"	4 1/4" + 7 7/8"	4 1/4" + 7 7/8"
Width Range Small Frame	23 1/4" – 35"	23 1/4" – 35"	23 1/4" – 35"	23 1/4" – 35"
Width Range Wide Frame	33 1/2" – 45 1/4"	33 1/2" – 45 1/4"	33 1/2" – 45 1/4"	33 1/2" – 45 1/4"
Depth	26 1/4"	26 1/4"	26 1/4"	26 1/4"
Lifting Points (Distance)	7 7/8" – 35 3/8"	7 7/8" – 35 3/8"	7 7/8" – 35 3/8"	7 7/8" – 35 3/8"
Air Supply	116 – 174 PSI	116 – 174 PSI	116 – 174 PSI	120 – 175 PSI
Air Consumption	92.5 gpm	92.5 gpm	92.5 gpm	92.5 gpm
Weight	446 lbs.	446 lbs.	446 lbs.	446 lbs.

* The capacity of the jacking beam cannot exceed 0.66 X the lift capacity. Please check with your local distributor as to which Steril-Koni lifting systems, accessories and shop equipment are ALL certified.



Extended Length Ramps

Additional ramps are available in multiple lengths to facilitate the lifting of very low-clearance vehicles. Various lengths and accessories are available upon request.

- + Set of long drive on/off ramps, length 63" | **41209010**



Superior Solutions for Today's Maintenance & Servicing Demands

*Great equipment
to support
great lifts*

Stertil-Koni USA is the leader in the heavy duty vehicle lift industry, recognized for its state-of-the-art bus lifts and truck lifts. Stertil-Koni brings the very best in engineering and technologically advanced lifting solutions to its customers throughout North America, as well as unparalleled after-sales service from its factory-trained local distributors. The Stertil-Koni product range offers everything a shop needs to safely and effectively accomplish a broad range of maintenance and servicing requirements – quickly, efficiently and expertly.



Shop Equipment

Comprehensive Stertil-Koni Heavy Duty Shop Equipment



SHOP EQUIPMENT

Stertil-Koni's mission is to maximize the safety and efficiency of your maintenance and service facility. Stertil-Koni offers a comprehensive range of heavy duty shop equipment to meet all your maintenance needs. Our equipment delivers superior design, enhanced ergonomics, safety, durability, and high performance. Explore our exclusive line of shop equipment including Support Stands, Transmission Jacks, Wheel Dollies, Floor Pit Jacks, LED Lighting and more.

Support Stands

Stertil-Koni's Support Stands, indispensable for many of today's leading shops, are engineered to support trucks, buses and other heavy vehicles facilitating a variety of maintenance practices.

All Stertil-Koni Support Stands are statically tested to 200% of the rated load capacity.

Tilt & Roll

- + Heavy steel framing manufactured to the highest industry standards
- + Ergonomic design promotes health and safety
- + Secure locking pin with steel retaining cable
- + Advanced mobility with built-in wheels
- + Spring-loaded center tube
- + Up to six inches of fine adjustment via an ACME screw (model dependent)

MODEL	CAPACITY	HEIGHT	HEAD
SKCV 5480-07	14,000 lbs.	54"-80"	1 fixed steel head
SKCP 5278-09	18,000 lbs.	52"-78"	1 fixed steel head
SKMH 3658-12	24,000 lbs.	36"-58"	2 interchangeable heads
SKMH 5480-12	24,000 lbs.	54"-80"	2 interchangeable heads
SKCVP 3658-18	36,000 lbs.	36"-58"	1 fixed wooden head
SKCVP 5480-18	36,000 lbs.	54"-80"	1 fixed wooden head

No Wheels

MODEL	CAPACITY	HEIGHT	PIN/ADJUST	WEIGHT
SKCP 1220-10	20,000 lbs.	12"-20"	Pin stop	27 lbs.
SKCV 1828-10	20,000 lbs.	18"-28"	Fine adjust	57 lbs.
SKCP 1830-10	20,000 lbs.	18"-30"	Pin stop	39 lbs.
SKCP 2644-10	20,000 lbs.	26"-44"	Pin stop	42 lbs.



Simple,



Fixed Model

- + Heavy steel framing manufactured to the highest industry standards
- + Ergonomic design promotes health and safety
- + Secure locking pin with steel retainer
- + 4 pin stops
- + Fixed flat adapter



JS-L12

MODEL	PRODUCT NO.	CAPACITY	HEIGHT	WEIGHT
JS-L12	39225650	26,500 lbs.	14"-21"	40 lbs.

Folding Models

- + Heavy steel framing manufactured to the highest industry standards
- + Ergonomic design promotes health and safety
- + Comes with flat adapter, U-shape adapter and V-shape adapter
- + Fine adjuster
- + Folding with casters
- + Certified by the American Society of Mechanical Engineers (ASME) safety standards for Portable Automotive Service Equipment (PASE)
- + Optional space-saving storage bracket

MODEL	PRODUCT NO.	CAPACITY	HEIGHT	LOCK POS.
JS-M8	39225645	18,000 lbs.	30"-51"	7
JS-H8	39225625	18,000 lbs.	50"-80"	10
JS-M12	39225635	26,500 lbs.	30"-51"	7
JS-H12	39225615	26,500 lbs.	50"-80"	10



JS-M8 / JS-H8

JS-M12 / JS-H12



Safe & Essential

Hydraulic Transmission Jacks

Transmission removals can be daunting. Simplify the task with a durable and reliable Stertil-Koni heavy duty Hydraulic Transmission Jack. Our Hydraulic Transmission Jacks are engineered to safely facilitate the removal of transmissions as well as other unwieldy undercarriage components while reducing the physical toll on the shop technician.

Motorized

- + Full hydraulic operation: compressed air or battery powered
- + X-style base frame for additional stability and access to under chassis components
- + Lifting speed of 30" per minute
- + Compressed air model includes regulator, filter, and lubricator
- + Battery model includes smart charger
- + Hand pump to fine-tune positioning
- + Large support table with bidirectional tilt with nylon retaining straps
- + Tilt up to 12 degrees
- + Swiveling locking rear wheels to facilitate narrow radius turns

MODEL	CAPACITY	POWER	TABLE SIZE	BASE SIZE
SKTJ 401-A	3,500 lbs.	Pneumatic	26"X16"	38"X52"
SKTJ 401-C	3,500 lbs.	Pneumatic	16"X13"	38"X52"
SKTJ 401E-A	3,500 lbs.	12 VDC	26"X16"	38"X52"
SKTJ 402-B	3,500 lbs.	Pneumatic	20"X14"	34"X48"
SKTJ 402E-B	3,500 lbs.	12 VDC	20"X14"	34"X48"



Heavyweight

Manual Operation

- + Easy to use manual hydraulics, foot activated
- + Galvanized support saddle and base frame
- + Precise adjustment for positioning of transmission
- + Hand-operated dead man's release for optimum safety when lowering
- + Built-in overload valve
- + Sturdy swivel castors for stability and maneuverability

MODEL	PRODUCT#	CAPACITY	HEIGHT	CRADLE SIZE	WEIGHT
TJ10	39640200	2,200 lbs.	46"-78"	22"X22"	88 lbs.
TJ12	39640250	2,640 lbs.	35"-75"	28"X28"	154 lbs.



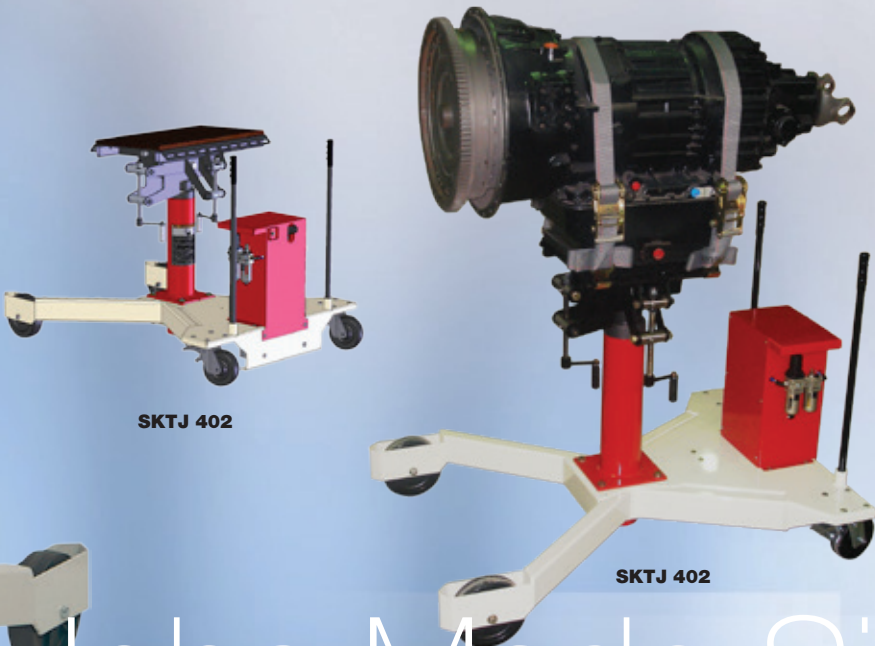
SKTJ 402



TJ-10



TJ-12



SKTJ 402

SKTJ 402

Jobs Made Simple

Manual Transmission Jack Options

Heavy Duty Adjustable Saddle

Product #39630140

- + Capacity 2,200 lbs.
- + 10° tilt in all directions for accurate dismounting and re-mounting of transmissions
- + Low minimum height for wide range of applications
- + Table dimensions 20"X15"
- + Includes 2 straps and 4 magnetic rubber support blocks
- + Weight 55 lbs.



39630140

Saddle

Product #9059500

- + Round steel contact adapter
- + For mounting springs, fuel tanks, etc.



9059500

Rubber Lifting Cushion

Product #3601400

- + Used with saddle #9059500
- + Protects vehicle body



3601400

* Options not available on all models.



Number One in Heavy Duty Vehicle Lifts

*Keep your fleet
mobile with
Stertil-Koni*

EARTHLIFT

Mobile Column Lift

DIAMONDLIFT

In-Ground Piston Lift

ECOLIFT

In-Ground Scissor Lift

SKYLIFT

Platform Lift

MULTI-POST

2- and 4-Post Lifts



Wheel Dollies

Wheel and tire maintenance ranks among the most back-breaking tasks in maintenance shops across North America. Add ergonomic convenience to your facility with the Steril-Koni Wheel Dolly and the picture gets brighter. This fully hydraulic versatile shop tool offers support for virtually all heavy vehicle wheel assemblies, from vans, buses, and trucks to agricultural, military, and industrial machinery. Additionally, it offers support for brake drums, fuel tanks, and other ungainly overhead maintenance.



SKWD 500

Motorized

- + Fully hydraulic operation: powered by compressed air or 12 VDC battery
- + Easily handles single and dual wheel applications
- + Lifting forks incorporate rollers to allow rotation of wheel assembly to align wheel studs
- + Lifting forks tilt through activation of hand pump for precision bearing alignment
- + Tilt is 10 degrees above and 4 degrees below horizontal
- + Nylon retaining strap secures load
- + Protective steel cover to prevent foot injuries and increase stability
- + Wheel diameter is 36" to 48"

MODEL	CAPACITY	POWER	LIFTING HEIGHT	SPEED PER MINUTE
SKWD 501*	850 lbs.	Pneumatic	52"	78"
SKWD 500	1,000 lbs.	Pneumatic	52"	78"
SKWD 500E	1,000 lbs.	12 VDC	52"	78"
SKWD 500D74	1,000 lbs.	Pneumatic	74"	78"
SKWD 500E74	1,000 lbs.	12 VDC	74"	78"

* Counterbalance design for Platform Lifts



SKWD 500



SKWD 501

Key Player in Shop



WDA 500



WD 1500NT



SKWD 500D74



#39650210

Manual Operation

- + Specially designed adjustable side lifting arms accommodate agricultural and industrial wheels with larger diameters and widths — even deep tread tractor tires
- + Lifting arms incorporate rollers to allow rotation of wheel assembly for proper alignment
- + Robust and easy to use wheel retaining bracket for added safety
- + Simple manual operation by foot

MODEL	PRODUCT#	CAPACITY	LIFTING POWER	WHEEL HEIGHT	DIAMETER
WDA 500	39650100	1,100 lbs.	Manual	28"	10"–51"
WD 1500NT*	39650200	3,300 lbs.	Manual	54"	39"–94"
WD 1500N*	39650150	3,300 lbs.	Manual	54"	39"–94"

* Agriculture use

Manual Wheel Dolly Option

Crane Arm

Product #39650210

- + For model WDA500
- + Capacity 550 lbs.
- + Mounted telescopic crane arm transforms the WDA into a universal lifting tool
- + Offers efficiency and good ergonomics when lifting disc brakes, brake drums, calipers, etc.
- + Swivels aside for quick reversion to wheel removal operation
- + Fitted with 360° pivoting hook

Safety

Floor Pit Jacks

Stertil-Koni has taken a traditional standard air hydraulic pit jack and made it better.

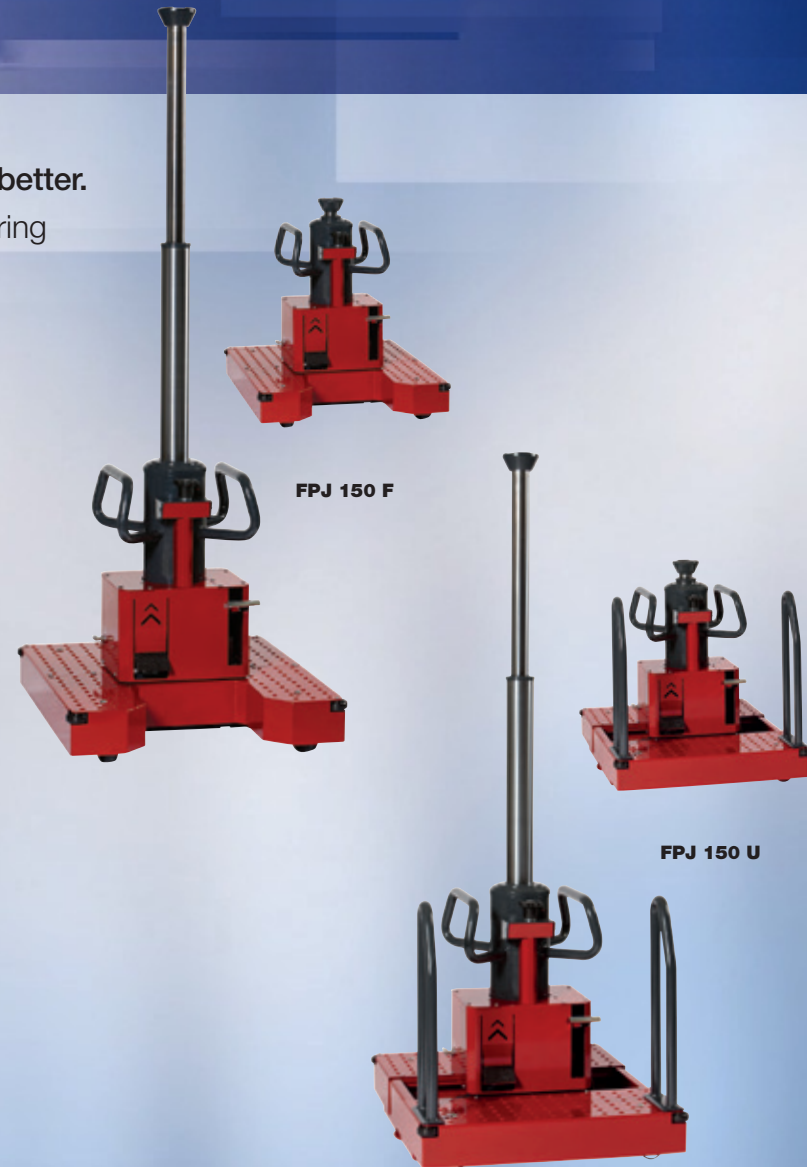
The Floor Pit Jack is an air hydraulic jack with telescopic piston, fitted with leaf spring support bearings for smooth gliding along the pit floor. This Floor Pit Jack is designed to operate on pit floor surfaces safely, thereby not depending on pit edges that are often not reinforced or sufficiently strong.

Floor Running

- + Rapid, precise air/hydraulic unit with high speed piston travel up and down
- + Built-in manual foot pump for easy and precise adjustment
- + Flexible pit jack for use both in pits and under vehicles
- + Ideal for removal and replacement of transmissions due to telescopic piston
- + Traversing piston ensures a wide reach under the vehicle and enables the mechanic to move freely back and forth in the pit (Model FPJ150U)
- + Spring loaded wheel support prevents unintended movements when lifting more than 1,760 lbs.
- + Dead man's release and safety overload valve for optimum safety

MODEL	PRODUCT#	CAPACITY	PISTON	HEIGHT**	BASE
FPJ 150 F	39660100	33,000 lbs.	Single	87"	33"X39"
FPJ 150 U*	39660200	33,000 lbs.	Single	87"	33"X42"

* Telescopic and sideways movable cylinder



Multi-Use. Versatile. Hardworking.

Floor Pit Jack Options



Adjustable Crossbeams

MODEL	PRODUCT#	CAPACITY	HEIGHT	ADJUST RANGE
T6-1	39630135	28,600 lbs.	3"	28"-48"
T6-2	39615135	28,600 lbs.	3"	28"-48"
T4-1	39630125	33,000 lbs.	4"	7"-29"
T4-2	39615130	33,000 lbs.	5"	7"-29"

Transmission Tables

Product #39660210 and AS3, Product #3966140

- + Capacity 1,100 lbs.
- + Table dimensions 20" x 15"
- + For single piston models



ABT Variable Support Bridge

Product #39630121

- + Capacity 33,000 lbs.
- + For safe and stable support of the vehicle
- + Open frame offers optimum traversing cylinder mobility
- + With leaf spring wheels for easy transport along the pit
- + Usable with various adapters
- + For use with FPJ jacks

AB Support Bridge

Product #39630120

- + Capacity 44,000 lbs.
- + For safe and stable support of the vehicle
- + With leaf spring wheels for easy transport along the pit
- + Usable with various adapters



Light Up Your Workspace

LED Magnetic Flood Light

Providing portable, area-specific under-vehicle lighting is vital to ensuring shop safety and efficiency. Whether techs are doing routine maintenance, removing components or installing new parts, lights brighten the environment and help reduce overall repair time. The Stertil-Koni LED Magnetic Flood Light is a portable, magnetic, high-intensity 800 lumens LED light engineered to easily affix to a broad range of metal surfaces commonly found in vehicle maintenance shops.



LED Magnetic Flood Light Set

Product #69700141

- + Includes: lamp, battery, charging unit and tripod
- + Provides up to 800 lumens of directed light
- + Powered by rechargeable lithium-ion battery
- + Die-cast aluminum housing
- + IP65 dust and water resistant
- + Strong magnetic base
- + 110 VAC charging cord — Product #69700146



По вопросам продаж и поддержки обращайтесь:

Алматы (7273)495-231	Казань (843)206-01-48	Новокузнецк (3843)20-46-81	Смоленск (4812)29-41-54
Архангельск (8182)63-90-72	Калининград (4012)72-03-81	Новосибирск (383)227-86-73	Сочи (862)225-72-31
Астрахань (8512)99-46-04	Калуга (4842)92-23-67	Омск (3812)21-46-40	Ставрополь (8652)20-65-13
Барнаул (3852)73-04-60	Кемерово (3842)65-04-62	Орел (4862)44-53-42	Сургут (3462)77-98-35
Белгород (4722)40-23-64	Киров (8332)68-02-04	Оренбург (3532)37-68-04	Тверь (4822)63-31-35
Брянск (4832)59-03-52	Краснодар (861)203-40-90	Пенза (8412)22-31-16	Томск (3822)98-41-53
Владивосток (423)249-28-31	Красноярск (391)204-63-61	Пермь (342)205-81-47	Тула (4872)74-02-29
Волгоград (844)278-03-48	Курск (4712)77-13-04	Ростов-на-Дону (863)308-18-15	Тюмень (3452)66-21-18
Вологда (8172)26-41-59	Липецк (4742)52-20-81	Рязань (4912)46-61-64	Ульяновск (8422)24-23-59
Воронеж (473)204-51-73	Магнитогорск (3519)55-03-13	Самара (846)206-03-16	Уфа (347)229-48-12
Екатеринбург (343)384-55-89	Москва (495)268-04-70	Санкт-Петербург (812)309-46-40	Хабаровск (4212)92-98-04
Иваново (4932)77-34-06	Мурманск (8152)59-64-93	Саратов (845)249-38-78	Челябинск (351)202-03-61
Ижевск (3412)26-03-58	Набережные Челны (8552)20-53-41	Севастополь (8692)22-31-93	Череповец (8202)49-02-64
Иркутск (395)279-98-46	Нижегород (831)429-08-12	Симферополь (3652)67-13-56	Ярославль (4852)69-52-93
Россия (495)268-04-70	Киргизия (996)312-96-26-47	Казахстан (7172)727-132	